

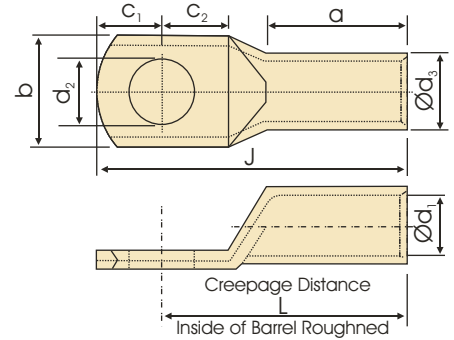
3D Compression Type



Tubular Terminal Ends, For Crimping to Aluminium Conductors

Material : Aluminium

Surface : Natural



Conductor mm ²	Bolt Ø	3D CAT NO.	Dimensions in mm									Tools	pcs
			Barrel ID	Barrel Length	Palm Width	Stud Size	Barrel OD	Stud Distance From top	Stud Distance From Barrel	Creepage distance	Total Length		
			d ₁	a	b	d	d ₃	C ₁	C ₂	L	J		
2.5	M 3	3D-2535	2.6	7	6.7	3.5	5.5	4	4	14	18	3D-17	100
4	M 4	3D-2536	2.9	7	7.2	4.5	5.5	4	4	14	18	3D-17	100
	M 5	3D-2537	2.9	7	12.0	5.2	5.5	5	5	16	21		
6	M 6	3D-2538	3.5	7	12.0	6.5	5.5	6	6	17	23	3D-17	100
10	M 6	3D-2539	4.4	9	9.7	6.5	7.2	8	9	22	30	3D-7	100
	M 8	3D-2540	4.4	9	15.0	8.5	7.2	8	9	22	30	3D-100	
16	M 6	3D-2541	5.4	13	11.4	6.5	8.3	9	11	28	37	3D-7	50
	M 8	3D-2542	5.4	13	11.7	8.5	8.3	9	11	28	37	3D-100	
	M 10	3D-2543	5.4	13	18.0	10.5	8.3	9	11	29	38		
25	M 6	3D-2544	7.0	16	13.7	6.5	9.7	10	11	34	44	3D-7	50
	M 8	3D-2545	7.0	16	13.7	8.5	9.7	10	11	34	44	3D-100	
	M 10	3D-2546	7.0	16	14.0	10.5	9.7	10	11	34	44		
	M 12	3D-2547	7.0	16	20.0	12.7	9.7	12	12	35	47		
35	M 6	3D-2548	8.0	18	15.4	6.5	10.8	11	11	35	46	3D-7	50
	M 8	3D-2549	8.0	18	15.4	8.5	10.8	11	11	35	46	3D-100	
	M 10	3D-2550	8.0	18	15.7	10.5	10.8	11	11	35	46		
50	M 8	3D-2551	9.3	22	18.3	8.5	13.0	11	13	43	54	3D-7	50
	M 10	3D-2552	9.3	22	18.3	10.5	13.0	11	13	43	54	3D-100	
	M 12	3D-2553	9.3	22	18.5	13.0	13.0	12	13	42	54		
70	M 8	3D-2554	11.3	26	21.8	8.5	15.5	13	13	47	60	3D-7	25
	M 10	3D-2555	11.3	26	21.8	10.5	15.5	13	13	47	60	3D-100	
	M 12	3D-2556	11.3	26	21.8	13.0	15.5	13	13	47	60		
95	M 10	3D-2557	13.2	28	24.8	10.5	17.4	14	14	50	64	3D-7	25
	M 12	3D-2558	13.2	28	24.8	13.0	17.4	14	14	50	64	3D-100	
	M 16	3D-2559	13.2	28	24.8	17.0	17.4	15	15	51	66		
120	M 10	3D-2560	14.7	32	28.0	10.5	19.6	15	15	58	73	3D-7	25
	M 12	3D-2561	14.7	32	28.0	13	19.6	15	15	58	73	3D-100	
	M 16	3D-2562	14.7	32	28.0	17.0	19.6	15	15	58	73		
150	M 10	3D-2563	16.4	34	30.8	10.5	21.5	17	17	62	79	3D-7	25
	M 12	3D-2564	16.4	34	30.8	13.0	21.5	17	17	62	79	3D-100	
	M 16	3D-2565	16.4	34	30.8	17.0	21.5	17	17	62	79		
185	M 10	3D-2566	18.4	36	34.5	10.5	24.0	18	18	66	84	3D-7	20
	M 12	3D-2567	18.4	36	34.5	13	24.0	18	18	66	84	3D-100	
	M 16	3D-2568	18.4	36	34.5	17.0	24.0	18	18	66	84		
240	M 12	3D-2569	21.0	44	40.0	13	28.0	22	22	80	102	3D-7	10
	M 16	3D-2570	21.0	44	40.0	17.0	28.0	22	22	80	102	3D-100	
300	M 16	3D-2571	23.8	47	45.0	17	31.0	27	27	88	115	3D-7	5
	M 20	3D-2572	23.8	47	45.0	21.0	31.0	27	27	88	115	3D-100	
400	M 20	3D-2573	26.8	56	50.8	21	35.5	30	31	100	130	3D-7	5
500	M 20	3D-2574	29.9	60	57.8	21	41.0	32	33	108	140	3D-150	5
630	M 20	3D-2575	34.9	69	65.8	21	46.0	34	35	120	154	3D-150	5
800	BLK	3D-2576	39.0	77	73.3		51.0	39	39	141	180	3D-150	10
1000	BLK	3D-2577	43.0	100	81.5		57.0	45	45	175	220	3D-150	10