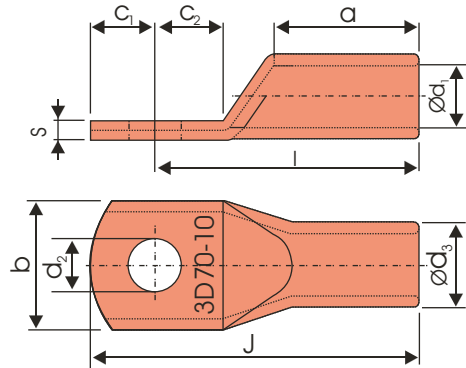




3D Tubular Cable Lugs

Standard New Type
for Copper Conductors
Without Inspection Hole
Material: Electrolytic Copper
Surface: Electro Tin Plated



Conductor mm ²	Bolt Ø	3D CAT NO.	Dimensions In mm										Tools	pcs
			d ₁	a	b	d ₂	d ₃	C ₁	C ₂	l	J	S		
35	M 6	3D-2192	8.5	17	17	6.5	12	7.5	7.5	32	39.5	3.3	3D-7-39	100
	M 8	3D-2193	8.5	17	17	8.5	12	10	10	34	44	3.3		100
	M 10	3D-2014	8.5	17	19	10.5	12	12	12	37	49	2.9		100
	M 12	3D-2168	8.5	17	21	13	12	13	13	38	51	2.6		100
	M 14	3D-2169	8.5	17	21	15	12	14.5	14.5	40	54.5	2.6		25
	M 16	3D-2006	8.5	17	26	17	12	16	16	42	58	2.1		25
50	M 6	3D-2001	10	19	20	6.5	14	10	10	37	47	3.7	3D-7-39	25
	M 8	3D-2003	10	19	20	8.5	14	10	10	37	47	3.7		50
	M 10	3D-2004	10	19	20	10.5	14	12	12	39	51	3.7		50
	M 12	3D-2170	10	19	23	13	14	13	13	43	56	3.2		50
	M 14	3D-2171	10	19	23	15	14	14.5	14.5	45	59.5	3.2		25
	M 16	3D-2007	10	19	28	17	14	16	16	46	62	2.7		25
	M 20	3D-2008	10	19	30	21	14	19	19	48	67	2.5		25
70	M 6	3D-2005	12	21	23	6.5	16.5	10	10	43	53	4.3	3D-7-39	25
	M 8	3D-2121	12	21	23	8.5	16.5	10	10	43	53	4.3		50
	M 10	3D-2164	12	21	23	10.5	16.5	12	12	44	56	4.3		50
	M 12	3D-2188	12	21	23	13	16.5	13	13	46	59	4.3		50
	M 14	3D-2172	12	21	23	15	16.5	14.5	14.5	48	62.5	4.3		25
	M 16	3D-2173	12	21	28	17	16.5	16	16	50	66	3.6		25
	M 20	3D-2129	12	21	30	21	16.5	19	19	53	72	3.3		25
95	M 8	3D-2015	13.5	25	26	8.5	18	12	12	48	60	4.2	3D-7-39	25
	M 10	3D-2018	13.5	25	26	10.5	18	12	12	48	60	4.2		50
	M 12	3D-2019	13.5	25	26	13	18	13	13	49	62	4.2		50
	M 14	3D-2174	13.5	25	26	15	18	14.5	14.5	51	65.5	4.2		25
	M 16	3D-2175	13.5	25	28	17	18	16	16	54	70.0	3.9		50
	M 20	3D-2130	13.5	25	36	21	18	22	22	60	82.0	3		25