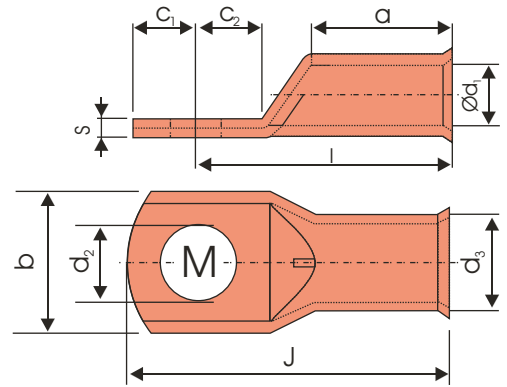


3D Tubular Cable Lugs



Economy-easy Entry Barrel, With Inspection Vent.
for Copper Conductor
Material : E Copper,
Surface : Tin Plated.



Conductor mm ²	Bolt Ø	3D CAT NO.	Dimensions in mm										Tools	pcs
			a	b	c ₁	c ₂	d ₁	d ₂	d ₃	l	J	S		
150	M 8	3D-2144E	26	30	14	14	16.5	8.5	21	50	64	4.4	3D-7	25
	M 10	3D-2320E	26	30	14	14	16.5	10.5	21	50	64	4.4		
	M 12	3D-2321E	26	30	14	14	16.5	13	21	50	64	4.4		
	M 14	3D-2322E	26	30	14	14	16.5	15	21	50	64	4.4		
	M 16	3D-2323E	26	30	14	14	16.5	17	21	50	64	4.4		
	M 20	3D-2324E	26	30	18	18	16.5	21	21	54	72	4.4		
185	M 10	3D-2325E	28	33	14	14	19	10.5	23.1	53	67	4.1	3D-7	20
	M 12	3D-2326E	28	33	14	14	19	13	23.1	53	67	4.1		
	M 14	3D-2327E	28	33	14	14	19	15	23.1	53	67	4.1		
	M 16	3D-2328E	28	33	14	14	19	17	23.1	53	67	4.1		
	M 20	3D-2329E	28	33	18	18	19	21	23.1	57	75	4.1		
240	M 10	3D-2138E	33	38	15	15	21	10.5	26	61	76	4.9	3D-7	10
	M 12	3D-2330E	33	38	15	15	21	13	26	61	76	4.9		
	M 14	3D-2331E	33	38	15	15	21	15	26	61	76	4.9		
	M 16	3D-2332E	33	38	15	15	21	17	26	61	76	4.9		
	M 20	3D-2333E	33	38	18	18	21	21	26	64	82	4.9		
300	M 10	3D-2139	42	44	19	19	24.5	10.5	30	76	95	5.3	3D-7	5
	M 12	3D-2140	42	44	19	19	24.5	13	30	76	95	5.3		
	M 14	3D-2334	42	44	19	19	24.5	15	30	76	95	5.3		
	M 16	3D-2335	42	44	19	19	24.5	17	30	76	95	5.3		
	M 20	3D-2336	42	44	19	19	24.5	21	30	76	95	5.3		
400	M 12	3D-2141	44	47.6	20	20	27	13	32.2	82	102	5.0	3D-7	5
	M 14	3D-2143	44	47.6	20	20	27	15	32.2	82	102	5.0		
	M 16	3D-2237	44	47.6	20	20	27	17	32.2	82	102	5.0		
	M 20	3D-2238	44	47.6	20	20	27	21	32.2	82	102	5.0		
500	M 14	3D-2142	48	54	22	22	30	15	36.4	90	112	6.3	3D-150	5
	M 16	3D-2239	48	54	22	22	30	17	36.4	90	112	6.3		
	M 20	3D-2240	48	54	22	22	30	21	36.4	90	112	6.3		
630	M 16	3D-2241	56	64	27	27	35	17	43.6	105	132	8.6	3D-150	5
	M 20	3D-2242	56	64	27	27	35	21	43.6	105	132	8.6		
	M 10x4	3D-2243	56	64	58	35	10.5	43.6	116	136	8.6			