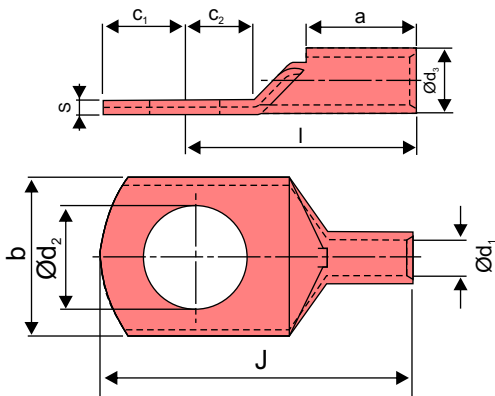


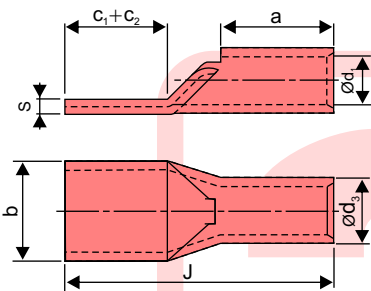


3D Tubular Cable Lugs

**Extra Wide Palm Type
With Inspection Hole
for Copper Conductors
Material : E Copper
Surface : Tin Plated.**



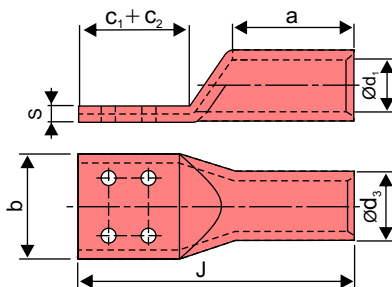
| Conductor mm ² | Bolt Ø | 3D CAT NO. | Dimensions in mm | | | | | | | | | | Tools | pcs |
|------------------------------|--------|---------------|------------------|----|----------------|----------------|----------------|----------------|----------------|----|----|------|---------------|-----|
| | | | a | b | c ₁ | c ₂ | d ₁ | d ₂ | d ₃ | l | J | S | | |
| 6 | M 10 | 3D-2639 | 9 | 17 | 10 | 10 | 3.8 | 10.5 | 5.5 | 23 | 33 | 1.25 | 3D-17 3D-2 | 200 |
| 10 | M 10 | 3D-2647 | 10 | 19 | 10 | 10 | 4.5 | 10.5 | 6.2 | 24 | 34 | 1.5 | 3D-2 | 200 |
| | M 12 | 3D-2650 | 10 | 19 | 12 | 12 | 4.5 | 13 | 6.2 | 25 | 37 | 1.4 | | |
| 16 | M 10 | 3D-2658 | 13 | 19 | 10 | 10 | 5.5 | 10.5 | 7.1 | 27 | 37 | 1.6 | 3D-2 | 100 |
| | M 12 | 3D-2659 | 13 | 19 | 12 | 12 | 5.5 | 13 | 7.1 | 29 | 41 | 1.9 | | |
| 25 | M 12 | 3D-2603 | 20 | 18 | 12 | 13 | 6.8 | 13 | 8.8 | 37 | 49 | 1.2 | 3D-7-39 | 100 |



**Standard Type, W/O Stud Hole
With Inspection Hole,
for Copper Conductors
Material: E Copper
Surface : Tin Plated**



| Conductor mm ² | Bolt Ø | 3D CAT NO. | Dimensions in mm | | | | | | | | Tools | pcs |
|------------------------------|--------|---------------|------------------|----|----------------|----------------|----------------|----------------|-----|------|-------|-----|
| | | | a | b | C ₁ | C ₂ | d ₁ | d ₃ | J | S | | |
| 400 | BLK | 3D-2759 | 44 | 50 | 52 | | 26.8 | 34.8 | 114 | 8 | 3D100 | 5 |
| 500 | BLK | 3D-2768 | 48 | 56 | 56 | | 30 | 39 | 124 | 9 | 3D150 | 5 |
| 630 | BLK | 3D-2776 | 56 | 65 | 66 | | 35 | 45 | 144 | 10 | 3D150 | 5 |
| 800 | BLK | 3D-2777 | 78 | 73 | 75 | | 39 | 50.6 | 170 | 11.6 | 3D150 | 5 |
| 1000 | BLK | 3D-2778 | 90 | 81 | 90 | | 43 | 56.2 | 200 | 13.2 | 3D150 | 5 |



**Standard Type, With 4 Stud Holes
With Inspection Hole
for Copper Conductors
Material: E Copper
Surface : Tin Plated.**



| Conductor mm ² | Bolt Ø | 3D CAT NO. | Dimensions in mm | | | | | | | | | | | Tools | pcs |
|------------------------------|--------|---------------|------------------|----|----------------|----------------|----------------|----------------|----------------|-------|-----|----|-------|-------|-----|
| | | | a | b | C ₁ | C ₂ | d ₁ | d ₂ | d ₃ | l | J | S | | | |
| 300 | M-8x4 | 3D-2766 | 42 | 58 | 13.3 | 13.3 | 23.5 | 8.5 | 30 | 98.7 | 115 | 8 | 3D150 | 5 | |
| 400 | M-8x4 | 3D-2767 | 44 | 58 | 13.3 | 13.3 | 26.8 | 8.5 | 34.8 | 103.7 | 120 | 8 | 3D150 | 5 | |
| 630 | M-8x4 | 3D-2775 | 56 | 65 | 20.3 | 20.3 | 35 | 8.5 | 45 | 98.3 | 144 | 10 | 3D150 | 5 | |