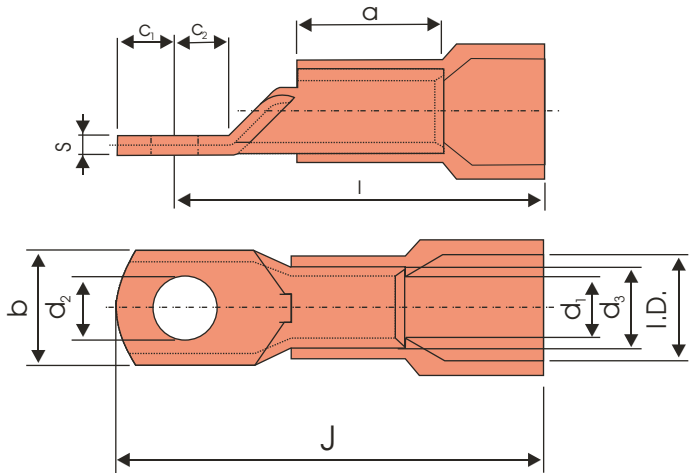


3D Tubular Cable Lugs



Standard Type, With Inspection Hole,
for Copper Conductors
With Insulation Cap
Material : E Copper + Nylon
Sur face : Tin Plated.



Conductor mm ²	Bolt Ø	3D CAT NO.	Dimensions in mm										Tools	pcs
			a	b	c ₁	c ₂	d ₁	d ₂	d ₃	l	J	S		
10	M 6	3D-2643-F	9	12	6	7	4.5	6.5	6.2	32	38	1.2	3D-7-39	100
	M 8	3D-2645-F	9	12	6	9	4.5	8.5	6.2	34	40	1.2		
	M 10	3D-2747-F	9	19	10	10	4.5	10.5	6.2	36	46	1.8		
16	M 6	3D-2653-F	12	12	7	7	5.4	6.5	7.1	38	45	1.4	3D-7-39	50
	M 8	3D-2655-F	12	12	7	9	5.4	8.5	7.1	40	47	1.4		
	M 10	3D-2658-F	12	19	10	10	5.4	10.5	7.1	41	51	1.8		
25	M 6	3D-2663-F	12	13	7	7	6.8	6.5	8.8	39	46	2.0	3D-7-39	50
	M 8	3D-2666-F	12	16	10	11	6.8	8.5	8.8	43	53	1.6		
	M 10	3D-2668-F	12	16	10	11	6.8	10.5	8.8	43	53	1.6		
35	M 8	3D-2677-F	15	15	9	9	8.2	8.5	10.6	47	56	2.4	3D-7-39	50
	M 10	3D-2681-F	15	18	10	11	8.2	10.5	10.6	49	59	2.0		
	M 12	3D-2683-F	15	20	12	13	8.2	13	10.6	51	63	1.8		
50	M 8	3D-2689-F	16	18	10	11	9.5	8.5	12.8	53	63	2.8	3D-7-39	50
	M 10	3D-2691-F	16	18	10	11	9.5	10.5	12.8	53	63	2.8		
	M 12	3D-2693-F	16	20	12	13	9.5	13	12.8	55	67	2.5		
70	M 8	3D-2698-F	18	21	12	13	11.2	8.5	14.7	60	72	3.5	3D-7-39	25
	M 10	3D-2699-F	18	21	12	13	11.2	10.5	14.7	60	72	3.5		
	M 12	3D-2700-F	18	21	12	13	11.2	13	14.7	60	72	3.5		
95	M 8	3D-2708-F	20	25	13	13	13.5	8.5	17.4	66	79	3.9	3D-7-39	25
	M 10	3D-2709-F	20	25	13	13	13.5	10.5	17.4	66	79	3.9		
	M 12	3D-2712-F	20	25	13	13	13.5	13	17.4	66	79	3.9		
120	M 10	3D-2717-F	22	28	14	14	15	10.5	19.4	70	84	4.4	3D-7-39	25
	M 12	3D-2719-F	22	28	14	14	15	13	19.4	70	84	4.4		
150	M 10	3D-2727-F	26	30	16	16	16.5	10.5	21.2	83	99	4.7	3D-7-39	25
	M 12	3D-2729-F	26	30	16	16	16.5	13	21.2	83	99	4.7		